

RECESSED CEILING MOUNT DOMES - Microdome™ MR7

DESCRIPTION

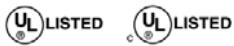
The MR7 MicroDome™ is a low profile indoor ceiling housing. It features a 7" dome, which accommodates standard body fixed cameras up to 8" in length. An opaque liner hides the direction of the camera in both the clear and tinted domes. The upper body is made of steel, and a white powder coat trim ring gives the MR7 a clean, streamlined look.



FEATURES

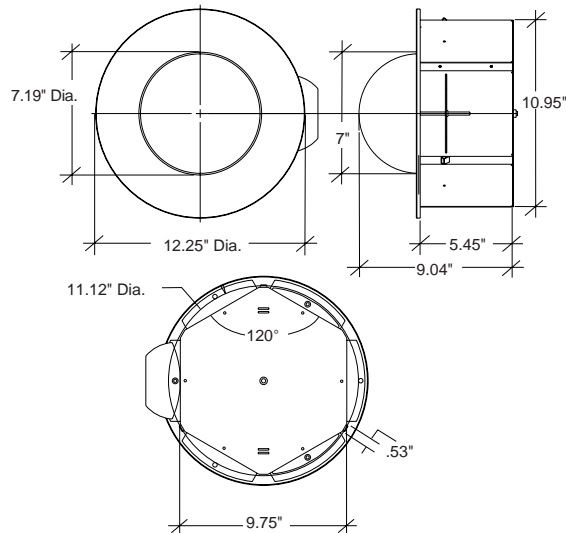
- 7" dome for easy installation and servicing from below the ceiling
- Housing extends only 3.5" below ceiling
- Camera can be mounted on either side of fixed mount camera bracket
- Accepts standard body fixed camera and lens (up to 8" in length)
- Includes a decorative trim ring with quick-release pressure springs
- Plenum rated metal top
- Units available with either clear or tinted domes
- Includes black liner with pre-cut viewing window
- Also available as a Q-View™ model with up to four cameras

CERTIFICATIONS



ARCHITECTURAL/ENGINEERING SPECIFICATIONS

The recessed ceiling mount housing shall be a VIDEOLARM model MR7 or equivalent. The back box shall be constructed from 18- and 20-gauge steel and be capable of being installed in its entirety from below the ceiling. The steel top will measure 5.5" (h) x 11" (d). The lower acrylic dome will be free-blown using cell-cast tinted or clear acrylic (1 F-stop light reduction for tinted lower dome). An opaque liner with pre-cut viewing window will hide the direction of the camera in both the clear and tinted domes. The lower dome will be held in place by a 19-gauge steel trim ring (white powder coat finish). The MR7 shall be designed to be installed in either sheetrock or drop ceilings. Three rotating support arms will allow for adjustment to the ceiling material thickness.



MODELS

MR7CL - 7" dome housing with fire-rated, quick-connect metal top; white decorative ring; clear lower dome; liner; and fixed camera bracket.

MR7TL - 7" dome housing with fire-rated, quick-connect metal top; white decorative ring; tinted lower dome (1 F-stop light reduction); liner; and fixed camera bracket.

SHIPPING SPECIFICATIONS

Model	Unit Weight	Shipping Weight	Shipping Box Dim.
MR7	10 lbs (4.5 kg)	10 Grd/14 Air	15 x 15 x 12

* Shipping weights depend on box dimensions.